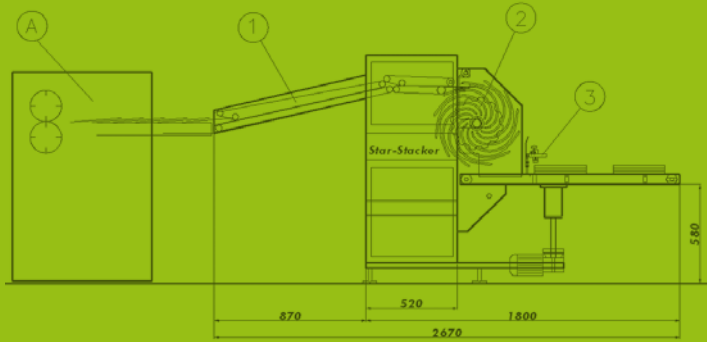


StarStacker

Off line variable Batcher Stacker



A Sheeter | 1 Infeed belt table | 2 Star wheel | 3 Stacker



Technical specifications:

Máximum web with:.....520 mm. (20,5")

Minimum web width:180 mm. (7")

Weight of paper:60-220 gr./m²

Size sheets:8-17"

With special kit:417"

Pile stack delivery maximum:1000 sheets 70 gr.

Maximum speed single cut:160 mt./min.

Options:

Cardboard inserter

Single or double stream production

tectuPRINT **ERIEC**

Solutions for the printing industry

www.tectuprint.com

C/ Colom 453 nave C16 08223 Terrassa (Barcelona) (Spain)
Tel (34) 937 221 664 · Fax (+34) 937 310 588 · info@tectuprint.com

